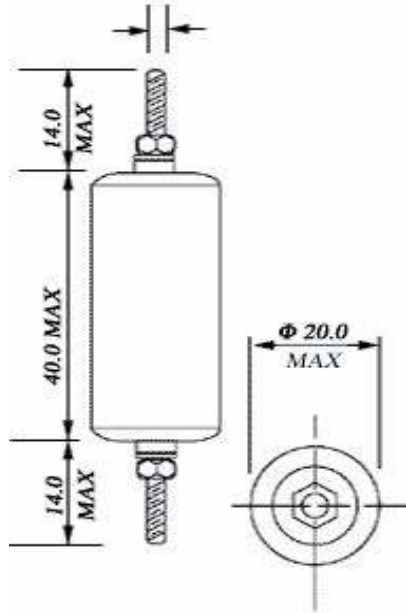


## FMD51

### Features

Oil Impregnated for Good Corona Resistance  
Dielectric - Polyester + Paper  
Electrode - Aluminium Foil  
Coil - Non-inductively wound, mineral oil impregnated  
Leads - Brass stud  
Construction - Aluminium can + Blue PVC Sleeve,  
stud insert moulded plastic end caps  
Markings - El-Ci-Ar logo, Capacitance, Voltage, Type  
Capacitor Tolerance - 20% (M), 10% (K), 5% (J)  
Dissipation Factor  $\leq 0.01$  at 1KHz at 25C (Typical Value 0.005)  
Test Voltage -  $2.5 \times V_r$  for 2 sec ( $V_r=2000V, 3000V$ )  
 $2 \times V_r$  for 2 sec ( $V_r=5000V$ )  
Max Pulse Rise - 300V/usec  
Temperature Range from  $-25^{\circ}C$  to  $+85^{\circ}C$   
Insulation Resistance  $\geq 25 G\Omega$  for  $C \leq 0.33\mu F$  At 20C  
 $\geq 75000$  sec for  $C \geq 0.33\mu F$



### Applications

General Purpose RC N/W across diodes, SCR  
Suited for High Voltage Applications like Induction Heating  
Suppression Circuits

### Available Values

Capacitance - 0.1uF to 1uF  
Voltage - 1000VAC / 1200VAC