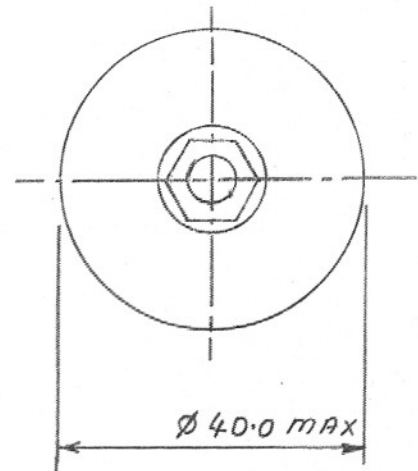
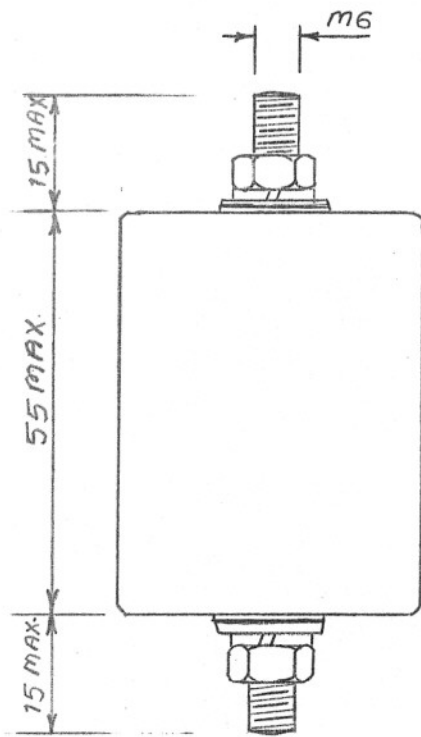


1. Capacitance value : 1  $\mu\text{F} \pm 20\%$
2. Rated voltage : 2000 VDC
3. Electrodes : Aluminium foils
4. Dielectric System : Polyester Film + Paper
5. Dissipation Factor: Less than 0.0100
6. Insulation : 7500 Megohms Min.  
Resistance at 500V  
1 minute, 25°C
7. Casing : Stud insert moulded  
Plastic Tube with  
HST Sleeve
8. Terminal to coil : Pressure contacts  
contact method



(1) ALL DIMENSIONS ARE IN MM.

|  |                 |             |       |                  |          |                     |                    |
|--|-----------------|-------------|-------|------------------|----------|---------------------|--------------------|
|  |                 | C:          | -     | $\mu\text{F}$ TO | 1        | $\mu\text{F}$       | VOLTAGE : 2000 VDC |
|  |                 |             |       |                  |          |                     | NOTE               |
|  |                 |             |       |                  |          |                     |                    |
| ①  | FMD21 WAS FMD19 | 01/04/06    | 2006  |                  |          |                     |                    |
| MOD. No.   | ALTERATIONS     | DATE        | DRAWN | CHECKED          | APPROVED |                     |                    |
| DRG. FIRST DRAWN ON :  |                 | 13/6/98     | JRAT  |                  |          |                     |                    |
| MATERIAL   |                 | SCALE       |       | 1:1              |          |                     |                    |
| NEOTRONIKS PRIVATE LIMITED<br>68, HADAPSAR INDUSTRIAL ESTATE<br>PUNE - 411 013 |                 | DESCRIPTION |       |                  |          | CAPACITOR<br>FMD 21 |                    |